

AR STK (766 889)

End fitting with ring eye for plug-in couplings for use as protective device and transport eye when working at overhead lines.



Figure without obligation

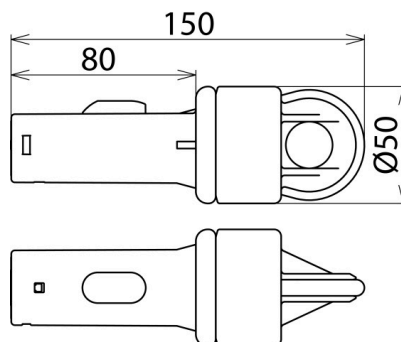


Figure without obligation

For use as protective device and transport eye when working at overhead lines

| Type | AR STK |
|---|---------------|
| Part No. | 766 889 |
| Total length (l _e) | 150 mm |
| Diameter | 30 / 43 mm |
| Weight | 172 g |
| Customs tariff number (Comb. Nomenclature EU) | 85389099 |
| GTIN | 4013364125193 |
| PU | 1 pc(s) |

We reserve the right to introduce changes in performance, configuration and technology, dimensions, weights and materials in the course of technical progress. The figures are shown without obligation.